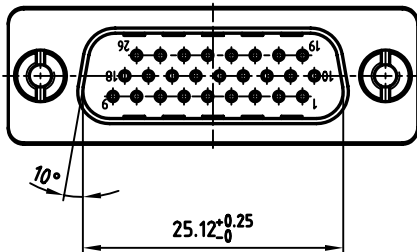
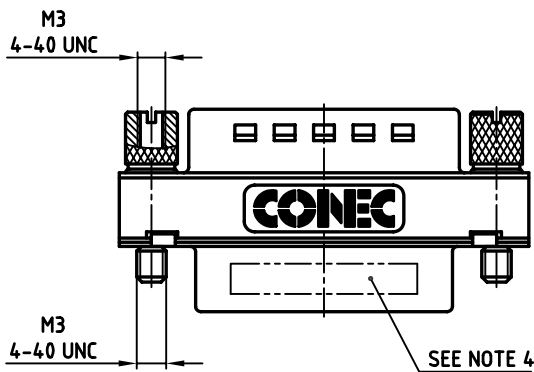
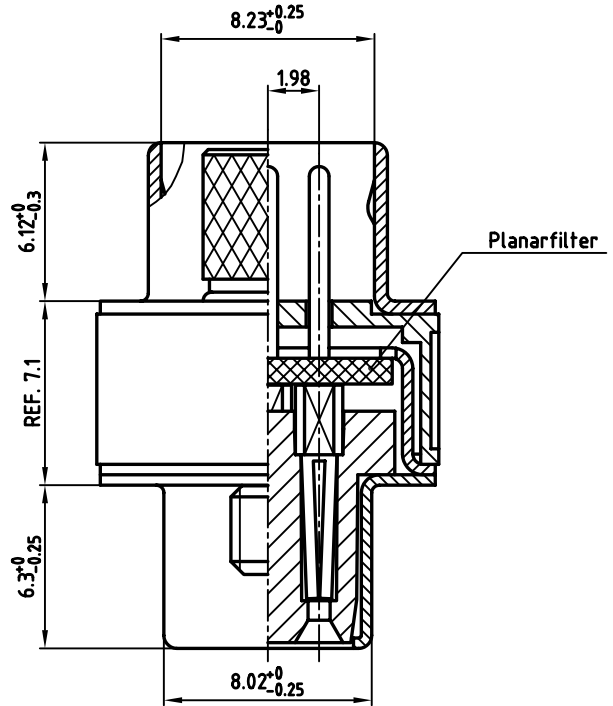
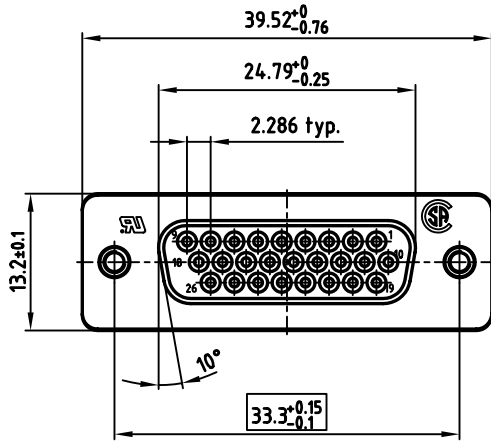


used for: HD FILTER ADAPTER



		PART NO.	
FILTER	CAPACITANCE	M3	4-40 UNC
TYPE 1	180pF±20%	243811730X	243811610X
TYPE 3	370pF±20%	243811770X	243811650X
TYPE 4	830pF±20%	243811810X	243811690X

**NOTES:**

- METAL SHELLS: STEEL; TIN PLATED
- INSULATORS: PBTP UL 94 V-0
- CONTACTS: COPPER ALLOY  
 PLATING: § USE A FOR QUALITY CLASS 3  
 § USE B FOR QUALITY CLASS 2  
 § USE C FOR QUALITY CLASS 1
- CONNECTOR IS PART MARKED: PART-NO. CONEC Y/WW
- = CRITICAL DIMENSION: SPC



THIS DRAWING MAY NOT BE COPIED OR REPRODUCED IN ANY WAY, AND MAY NOT BE PASSED ON TO A THIRD PARTY, WITHOUT WRITTEN PERMISSION. OWNERSHIP AND COPYRIGHT OF CONEC GmbH. DO NOT ALTER CAD DRAWING BY HAND

tolerance		scale: 2:1 (5:1)	
		material: SEE NOTES	
1997	date	name	title: <b>HD FILTER ADAPTER</b> 26pos.
drawn	28.01.	Barcinski	
appd.	28.01.	Mickenbecker	
norm			
d-old			dwg no: AutoCAD/REL.13 DIN-A
		24K1IP8A	
		part no: SEE TABLE	
rev.	description	date	name

3  
sh: 1/1